

SLIPSTREAM

BPD50257



Project: _____
Location: _____
Fixture Type: _____
Catalog Number: _____

AVAILABLE FINISHES

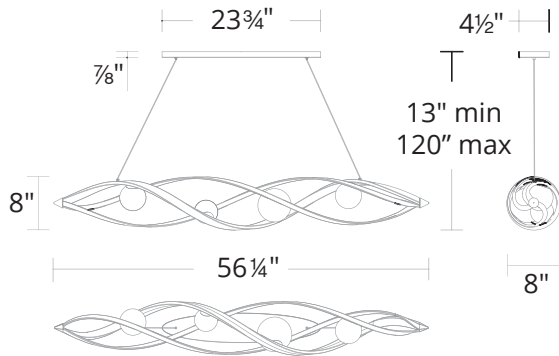


BK: Black

DESCRIPTION

Like a current of air, Slipstream is modern, graceful and stylishly curved with seamless spatial flow. This extraordinary luminaire adds a twist of matte black metal with optic haze crystal orbs, composed of natural quartz gemstone, to radiate captivatingly and enhance your room with a unique look and personality.

LINE DRAWING



FEATURES

- Unique Optic Haze crystal diffuser
- Each hand selected piece features unique variations
- Built-in color temperature adjustability switch from 3000K/3500K/4000K at time of installation
- Thin powered aircraft cables provide an ultra clean look for adjustable suspension height
- Spin-on round canopy with minimal hardware
- Thin canopy conceals a proprietary universal 120V-220V-277V driver
- Can be mounted on a sloped ceiling

SPECIFICATIONS

CRI	90
Dimming	ELV, 0-10V, TRIAC
Standards	ETL/cETL, Damp, Title 24

REPLACEMENT PARTS

- RPL-GLA-50257-01 - Optic Haze Crystal (90mm)
- RPL-GLA-50257-02 - Optic Haze Crystal (100mm)
- RPL-GLA-50257-03 - Optic Haze Crystal (110mm)

Model	Size	LED Color Temp	Finish	Voltage	Wattage	Weight	LED Lumens	Delivered Lumens
BPD50257	57"	3000K/3500K/4000K	BK Black	120-277V	25W	21 lb	3550	1066

Example: BPD50257-BK